



SAFETY BARRIER SYSTEM



Attractive, Durable Composite Utility Walls

Non-conductive perimeter fencing provides safety, security.

Ideal for substations, transformer yards, and other utility-asset properties.



Shakespeare

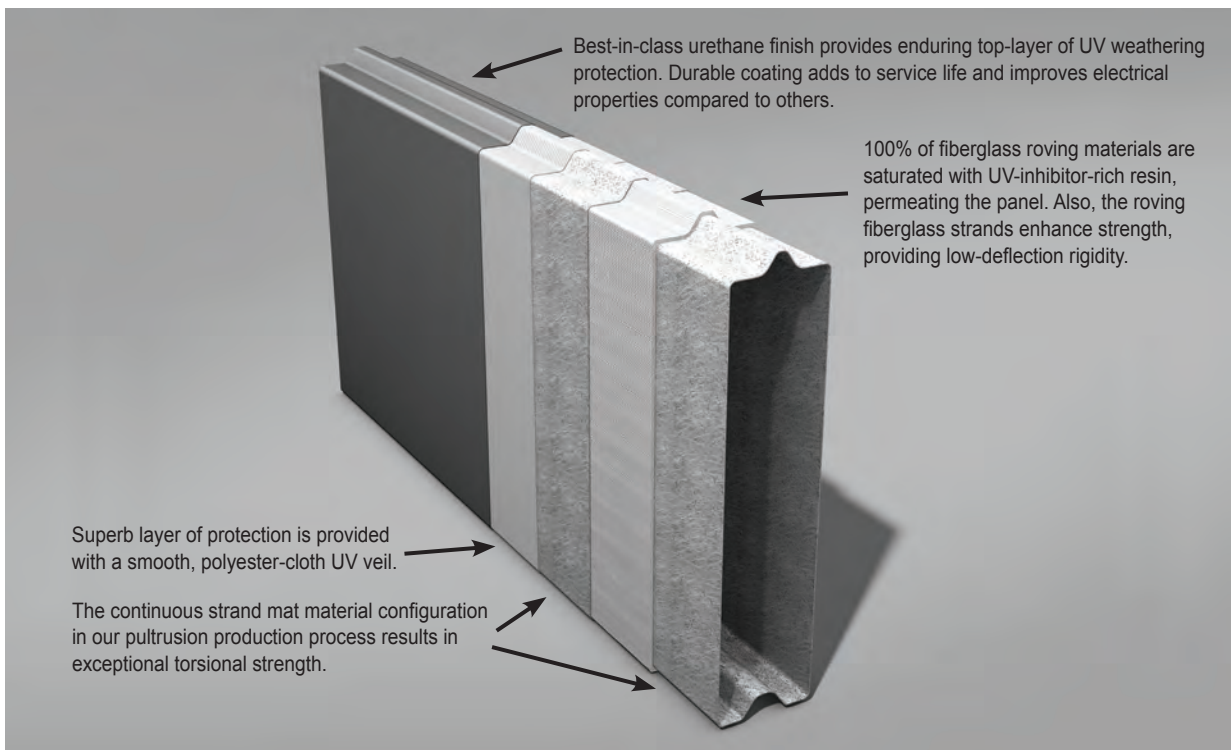
A valmont. BRAND



SAFETY BARRIER SYSTEM

See the SafeFence™ Difference

Layers of Innovation and Triple UV Protection for Long Lasting Durability



SafeFence is non-conductive, making it an ideal perimeter barrier around substations and other utility assets.

PROVIDING **SAFETY** AND **SECURITY**



SafeFence™ non-conductive perimeter barrier fencing provides safety and security around substations, transformer yards and other utility properties with installed power-delivery assets.

The fiberglass wall deters would-be vandals, excludes wildlife and hides unsightly equipment from growing neighborhoods. Lightweight, easy to install, and versatile, the Shakespeare SafeFence wall can be field-modified during installation to address any type of terrain.

Designed and produced using fiberglass strands and mat, the composite material's maintenance-free construction saves time and money over the product's lifetime. In hot, humid environments, the SafeFence composite construction will never rust. Further the materials will not deteriorate in salt-air climates, desert heat, or harsh, high-traffic environments.

The attractive, graffiti-resistant design provides superb UV protection for long-term performance in the field.

SafeFence Safety Barrier PRE-CONSTRUCTION BENEFITS

- Proven performance addresses safety concerns in local communities
- Delivers remarkable decibel reduction per square foot per dollar performance
- No need for noisy, heavy equipment for wall installation
- Lightweight design reduces the number of delivery trucks needed and allows for easy storage near the job site
- Extremely fast installation
- Environmentally sound – no chemical preservatives, plus well suited for environmentally sensitive areas where heavy equipment may damage sensitive land



SafeFence 12-inch high horizontal panels.

SAFEFENCE™ SAFETY BARRIER CONSTRUCTION BENEFITS



CONSTRUCTION BENEFITS

- Can be easily modified and cut in the field for on-site changes/adjustments.
- Spans up to 24-feet are available between either steel, concrete, or fiberglass posts.
- Remarkable durability to maintain attractive appearance during installation and for years to come.
- Lightweight, easily installed with minimal equipment and crew.
- Easier and faster to install than concrete, wood, masonry, steel or aluminum.
- Non-conductive properties add a measure of safety and security.



SafeFence is ideal for use on uneven terrain and can be easily modified during installation.

SafeFence™ is designed for **long-term** outdoor **durability**, vandal resistance, and **ease of installation**.



LONG-TERM BENEFITS

- Engineered fiberglass composite construction is built to last up to 50 years
- Durable construction is rust-proof and corrosion-resistant
- Extremely low maintenance over the product life saves time, money
- In the event of vehicle impact or other damage, the panels are easy to repair or replace
- Graffiti-resistant properties maintain the product's good looks
- A variety of RAL colors available upon request
- Non-conductive properties add a measure of safety
- Excellent freeze/thaw resistance, moisture resistance, and fire resistance



As a non-conductive composite material, the SafeFence barrier system provides an ideal safety perimeter around substations and other utility assets.



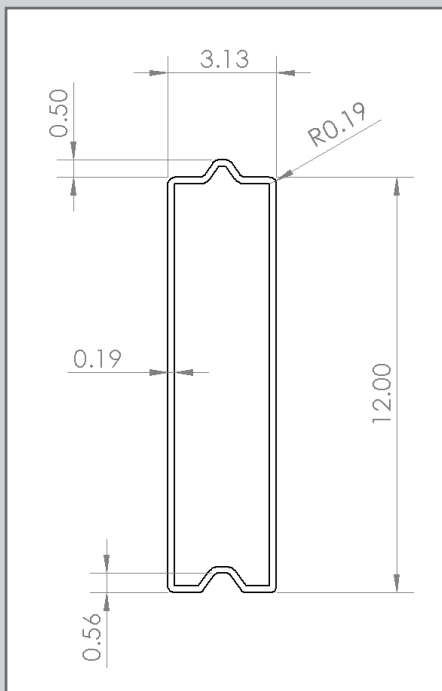
SAFETY BARRIER SYSTEM

ACOUSTICAL RATING FACTOR - Key Terms

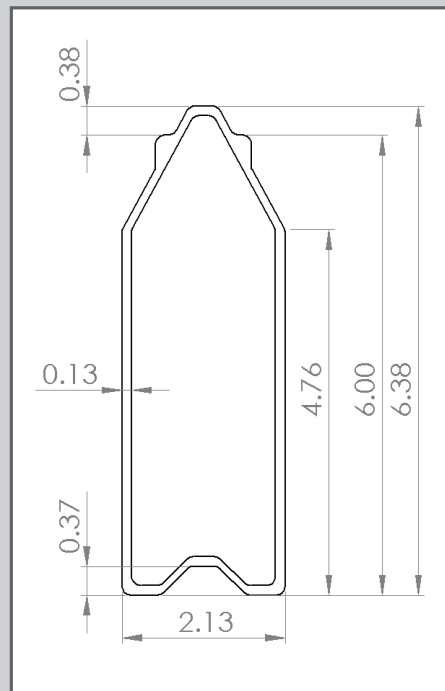
STC: Sound Transmission Class (Coefficient) is the measure of how well a material blocks sound.

NRC: Noise Reduction Coefficient is the measure of how sound is absorbed by an object.

SafeFence safety barrier systems are available in 6-inch high or 12-inch high horizontal composite panels.



12-inch panel



6-inch panel

SAFEFENCE RATING FACTORS			
TYPE OF SYSTEM	12" REFLECTIVE	12" ABSORPTIVE	6" REFLECTIVE
AVERAGE STC RATING	35	37	28
NRC VALUE	0.15	1.05	0.15

A 6-inch high panel, which is filled with recycled tire rubber, is available upon request.

See How SafeFence Compares To Other Fencing Materials

See the material comparison tables below for design and installation factors to consider when comparing SafeFence safety barrier fencing systems to concrete, wood, and metal fencing materials.

MATERIAL COMPARISON - DESIGN FACTORS

	SAFEFENCE	CONCRETE	WOOD	METAL
TYPE OF SYSTEM	POST & PANEL	POURED/POST & PANEL	POST & PANEL	POST & PANEL
MOISTURE RESISTANCE	EXCELLENT	GOOD	POOR	POOR
FREEZE-THAW RESISTANCE	EXCELLENT	FAIR	POOR	POOR
TYPICAL SERVICE LIFE	50+ YEARS	50 YEARS*	25 YEARS	25 YEARS
EASE OF INSTALLATION	EXCELLENT	FAIR	FAIR	FAIR
FIRE RESISTANCE	EXCELLENT	EXCELLENT	POOR	EXCELLENT
GRAFFITI RESISTANCE	EXCELLENT	POOR	POOR	POOR
WEIGHT PER SQUARE FOOT	5-8 lbs.	100-125 lbs.	30-45 lbs.	5-7 lbs.

* Compared to SafeFence barrier, concrete, wood, and metal products may have a much shorter service life in areas where de-icing road treatments are used for snow and ice.

MATERIAL COMPARISON - INSTALLATION FACTORS

	SAFEFENCE	CONCRETE	WOOD	METAL
HEAVY EQUIPMENT REQUIRED	NO	YES	NOT ALL	YES
CAN BE USED ON BRIDGES	YES	NO	NO	YES
CHALLENGING TERRAIN	YES	NO	NO	NO
ONSITE CHANGES/ADJUSTMENTS	YES	NO	YES	NO



Precision Crafted for Outstanding Performance

A time-proven performer, Shakespeare is a leader in developing composite crossarms, utility poles, substation structures, and safety barriers for the utility industry.

- **Safety** - Non-conductive material design is ideal for installation in high-traffic and heavily populated areas.
- **Ease of Installation** - Our lightweight composite components save time, manpower, equipment, and money during installation.
- **Custom-Fit Adjustments in the Field** - SafeFence can be easily modified and cut during installation for quick on-site changes/adjustments.
- **Built to Last** - Fiberglass composite components will never rust and perform exceptionally well in high-traffic environments found in busy metropolitan areas, humidity and salt-air environments along coastlines, and in cold, snowy environments where deicing agents are frequently used.
- **US Designed and Built** - SafeFence is engineered and produced in Newberry, SC. The fence panels are manufactured from fiberglass reinforced thermoset material using a heated pultrusion process that delivers consistent quality and performance.
- **Proven Performance** - With thousands of miles of barrier systems installed, Valmont Composite Structures' fencing has been used for years to protect people and property in utility, transportation, and municipal applications.



To learn more about the features and benefits of SafeFence Safety Barrier Systems, contact Shakespeare.

19845 U.S. Highway 76 | Newberry, SC 29108 USA | Phone 800.800.9008 | Fax 803.276.8940
www.skp-cs.com

